

DRG. No.
PCG/ATX/A2L/MET

DO NOT SCALE OFF DRAWING "IF IN DOUBT ASK".
REPORT ALL ERRORS AND ALTERATIONS.

THIRD ANGLE PROJECTION

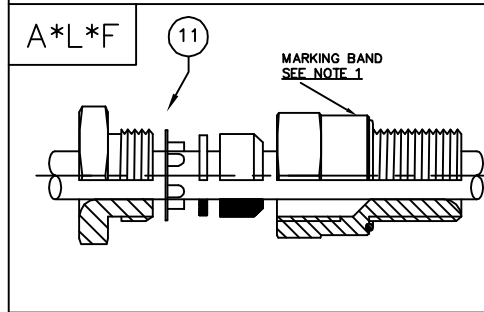
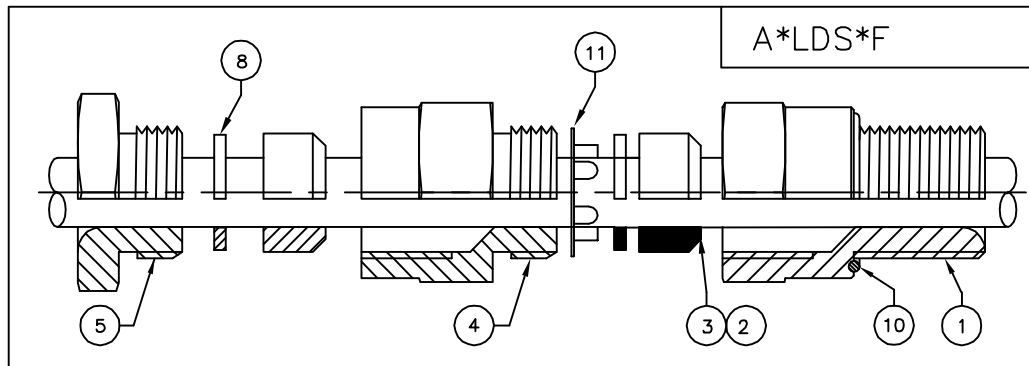
MARKING

1. EXAMPLE OF MARKING ON BAND: -
Exd IIC / Exe II / Ex tD A21 IP68
A2LCFF 16 M20 SIRAO1ATEX1272X
PEPPERS GU15 3BT UK Ex II2GD IP68
xx (Year Code)

2. SPECIAL MARKS: -

Ex II 3GD
Ex nR II
SIRA 09ATEX1221X
OTHER APPROVAL
INFORMATION MAY BE
MARKED ON THE GLAND

DRAWN RJW
DATE 07/04/11
CHECKED
APPROVED
CAD REF
SCALE N.T.S
ISSUE
1. Original

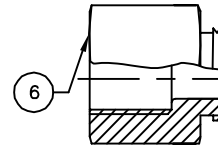
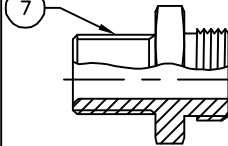


A*LCM*F (c)

A*LCF*F (c)

ALL PARTS ARE AS PER A*LF
EXCEPT ITEM 7
REPLACES ITEM 5

ALL PARTS ARE AS PER A*LF
EXCEPT ITEM 6
REPLACES ITEM 5



PARTS LIST & CERTIFICATE CROSS-REFERENCE

Balloon Ref	Part Description	Drawing Number	Other Certificate Nos. used on	Other Certificate Nos. used on
1	ENTRY BODY	PCG/ATX/81AN	SIRA 03ATEX1479X	---
		PCG/ATX/81AN-NPT	SIRA 03ATEX1479X	---
2	SEAL	PCG/ATX/82N	SIRA 03ATEX1479X	BAS 01ATEX2271X
3	SEAL	PCG/ATX/82V	BAS 01ATEX2271X	---
4	MID CAP	PCG/ATX/85N	---	---
5	NUT	PCG/ATX/88N	SIRA 03ATEX1479X	---
6	CONDUIT NUT FEMALE	PCG/ATX/88NF	---	---
7	CONDUIT NUT MALE	PCG/ATX/88NM	---	---
8	SKID WASHER	PCG/ATX/91A	SIRA 03ATEX1479X	BAS 01ATEX2271X
10	O-RING	PCG/OR	BAS 01ATEX2271X	---
11	CONTINUITY WASHER	PCG/LW3	BAS 01ATEX2271X	---

SEAL CODES, PART NOS., MATERIALS & TEMPERATURES

Code	Material	SEAL PART NOS. (b)		OPERATING TEMPERATURE RANGE
		Not Size	Size	
		16/M20	16/M20	
2	Neoprene	82N	82V	-20°C to +85°C
3(a)	Silicone	82NS	82VS	-60°C to +180°C
4	Neoprene	82N	82V	-20°C to +85°C
43	Silicone	82NS	82VS	-60°C to +180°C

METAL PARTS MATERIAL CODES

Code	Material
--	Brass (standard - no code)
S	Stainless steel
A	Aluminium alloy

NOTES

- a) Silicone Seals are coloured white
- b) In size 16/M20 parts 2 & 8 replace parts 3 & 9
- c) A*LCM*F and A*LCF*F families only available in size range 16 - 75
- d) Nitrile O-rings Part OR are used with Code 2 glands. Silicone O-rings Part OR are used with Code 3 glands.
- e) Code 4 and 43 glands are fitted with Part 11 Continuity Washer

OTHER THREAD SIZES ARE AVAILABLE

GENERAL NOTE

To minimise galvanic corrosion, the metallic gland components are made from similar materials



PEPPERS CABLE GLANDS LIMITED

STANHOPE ROAD, CAMBERLEY, SURREY, UK.
TEL +44 (0)1276 64232, FAX +44 (0)1276 691752

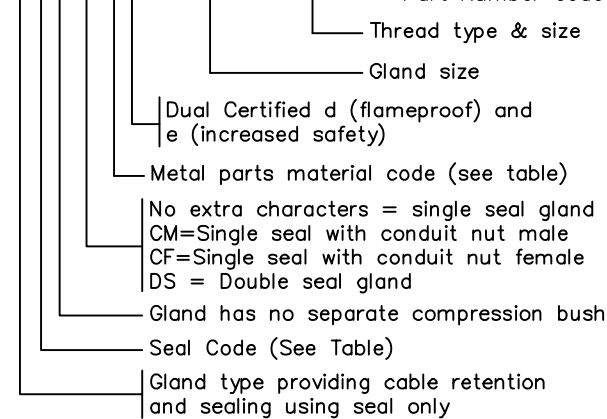
TITLE ATEX RANGE - GLANDS FOR UNARMoured OR ARMoured CABLE - A*L*F, A*LCM*F, A*LCF*F & A*LDS*F METRIC THREADS

The design and manufacturing information contained in this drawing is the exclusive right of PEPPERS CABLE GLANDS LTD and must not be copied or used for manufacturing purposes without express authority in writing from the said company.

DRG. No.
PCG/ATX/A2L/MET
ISSUE 1

GLAND TYPE NUMBERING

AxLxxxxF xxxxx xxxx = Gland Type and Part Number code



GLAND SIZE	THREAD SIZE METRIC	THREAD LENGTH MM	OUTER SHEATH	
			MIN	MAX
16	M20	16	4.0	8.4
20S	M20	16	7.2	11.7
20	M20	16	9.4	14.0
25	M25	16	13.5	20.0
32	M32	16	19.5	26.3
40	M40	16	23.0	32.2
50S	M50	16	28.1	38.2
50	M50	16	33.1	44.1
63S	M63	19	39.2	50.1
63	M63	19	46.7	56.0
75S	M75	19	52.1	62.0
75	M75	19	58.0	68.0
80	M80	25	62.2	72.0
85	M85	25	69.0	78.0
90	M90	25	74.0	84.0
100	M100	25	82.0	90.0

THIS DRAWING IS OF A CERTIFIED COMPONENT, AND NO CHANGES MUST BE MADE WITHOUT REFERENCE TO THE CERTIFYING AUTHORITY.